

PRODUCT NAME

AS-I Valve Monitor

DESCRIPTION OF THE PRODUCT

The AS-i valve monitor is a rotary valve position indication device which can directly communicated with AS-i master. Armed with ACHEM I/O+Sensor Module, the device can sensor the valve position (On/Off), communicate with ASI master and output voltage(24VDC-1.5W) to operate the solenoid valves or relays based on the command from Master and PC.



MODEL NO.

ALS300AS2

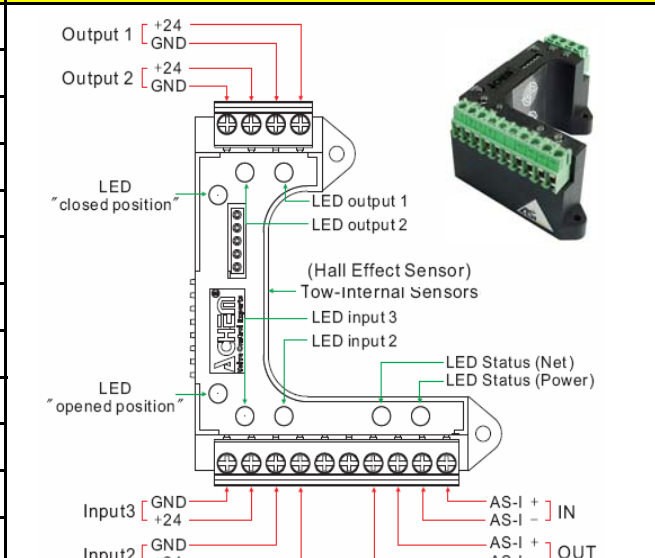
APPROVED BY



SPECIFICATIONS AND TECHNICAL DATA

Enclosure	Die-casting aluminum: O-ring sealed
Coating	Dichromate conversion with polyester powder coating
O-rings	Buna N
Environment	Type 4, 4X, IP67
Area Classification	Standard
Fasteners	Stainless steel
Shaft	Stainless steel Namur
Conduit Entries	Two 1/2" BSPP Also available with two 1/2" NPT, M20-1.5
Terminal Strip Contacts	8~14
Mounting Bracket	MB - 3.4: 30 x 80, 130 H:20, 30 (Carbon steel)
Temperature Rating	-20°C -85°C

WIRING DIAGRAM



AS-I I/O Modules+Sensors

Model No.	AS2
Address	1A-31A, 1B-31B(62)
Outputs(2)	28VDC (3 Watts total power available)
Inputs(4)	2-internal inputs, 11.6mA, 28VDC, Hall effect sensors 2-additional inputs, 16.6mA, 28VDC, mechanical switch, low power reed, or proximity sensor
Current Consumption	< 10.6mA (with no outputs energized)
Operating Voltage	29.5-31.6 VDC AS-INTERFACE
Indication	4 Inputs, 2 outputs and network, power LEDs
Operating Temp.	-40°C to +85°C

Dip Switch Setting for exchangeability

Manufacturer	1	2	3	4	5	6	7	8
Achem	ON	ON			ON	ON	ON	
Westlock, Alga	ON	ON			ON	ON	ON	
Sense	ON				ON			
Pepperl+fuchs	ON							
Stonel			ON		ON	ON		
Topworx	ON		ON		ON	ON		ON

Note that: By setting a DIP switch above which built-in ACHEM Asi card brings the benefit of exchanged between products already installed, or in the case of an expansion of networks already installed without requiring any changes to the PLC/DCS.

DRAWING AND DIMENSION

