



PRODUCT NAME
Position Transmitter Valve Monitor
MODEL NO.
ALS300M2F
DESCRIPTION OF THE PRODUCT
The ALS300M2F position transmitter valve monitor is a rotary position indication device. Armed with mechanical switch and the position transmitter this device can senses mechanical position (on/off) as well as the position change (0° to 90°) of valve and output 4-20mA for remote PLC or PC indication. The visual indicator on the top of the device can also clearly display the valve position for local detection.
APPROVED BY
 IP 67 NEMA 4.4X



SPECIFICATIONS AND TECHNICAL DATA

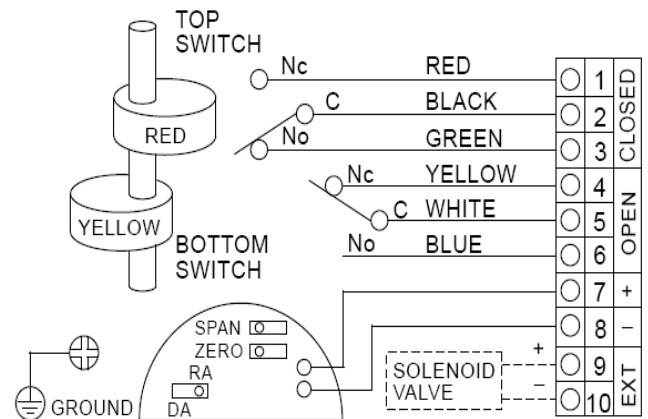
Enclosure	Die-casting aluminum: O-ring sealed
Coating	Dichromate conversion with polyester powder coating
O-rings	Buna N
Environment	Type 4, 4X, IP67
Area Classification	Standard
Fasteners	Stainless steel
Shaft	Stainless steel Namur
Conduit Entries	Two 1/2" BSPP Also available with two 1/2" NPT, M20-1.5
Terminal Strip Contacts	10
Mounting Bracket	MB - 3.4: 30 x 80, 130 H:20, 30 (Carbon steel)
Temperature Rating	-20°C-85°C

Sensor: CROUZET Mechanical Switches	
Model No.	M2 (2 SPDT)
Operating Voltage	Max: 15A125-250 VAC
Operating Temp.	-25°C-85°C
Photo	

Position Transmitter (F)	
Input type	2 wire
Input signals	0°-90°
Output signals	4-20mA
Adjustable range	Zero:±10% Span: 30-150%
Linearity	±1%
Sensitivity	±0.2%
Supply Voltage	15-30VDC



WIRING DIAGRAM



DRAWING AND DIMENSION

