

PRODUCT NAME

Valve Monitor

MODEL NO.

ALS300M3

DESCRIPTION OF THE PRODUCT

The ALS300M3 valve monitor is a rotary position indication device. Armed with mechanical switch(3-SPDT), this device can sense three mechanical positions separately of valve for remote PLC or PC indication. The visual indicator on the top of the device can also clearly display the valve position for local detection.



SPECIFICATIONS AND TECHNICAL DATA

Enclosure	Die-casting aluminum: O-ring sealed
Coating	Dichromate conversion with polyester powder coating
O-rings	Buna N
Environment	Type 4, 4X, IP67
Area Classification	Standard
Fasteners	Stainless steel
Shaft	Stainless steel Namur
Conduit Entries	Two 1/2" BSPP
	Also available with two 1/2" NPT, M20-1.5
Terminal Strip Contacts	12
Mounting Bracket	MB - 3.4: 30 x 80, 130 H:20, 30 (Carbon steel)
Temperature Rating	-20°C -85°C

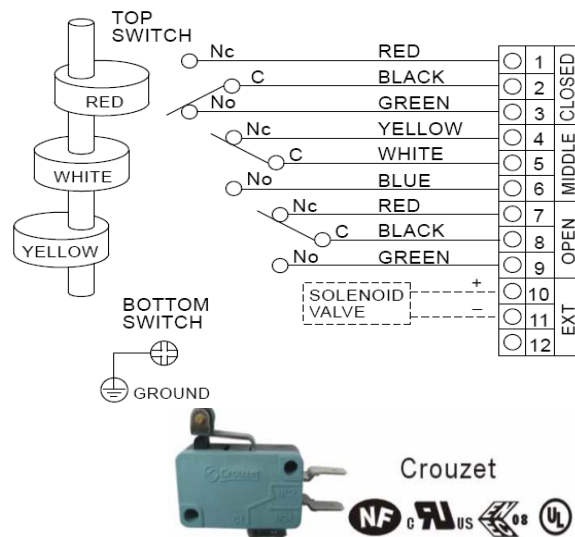
APPROVED BY



IP 67

NEMA 4.4X

WIRING DIAGRAM(3-SPDT)



Sensor: 3 SPDT CROUZET Mechanical Switches

Model No.	M3
Operating Voltage	Max: 15A125-250 VAC
Operating Temp.	-25°C -85°C



DRAWING AND DIMENSION

