

PRODUCT NAME

Valve Monitor

MODEL NO.

ALS300ML2

DESCRIPTION OF THE PRODUCT

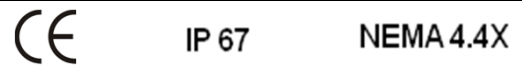
The ALS300ML2 valve monitor is a rotary position indication device. Armed with mechanical switch, this device can sense mechanical position (on/off) of valve for remote PLC or PC indication. The visual indicator on the top of the device can also clearly display the valve position for local detection.



SPECIFICATIONS AND TECHNICAL DATA

Enclosure	Die-casting aluminum: O-ring sealed
Coating	Dichromate conversion with polyester powder coating
O-rings	Buna N
Environment	Type 4, 4X, IP67
Area Classification	Standard
Fasteners	Stainless steel
Shaft	Stainless steel Namur
Conduit Entries	Two 1/2" BSPP
	Also available with two 1/2" NPT, M20-1.5
Terminal Strip Contacts	8
Mounting Bracket	MB - 3.4: 30 x 80, 130 H:20, 30 (Carbon steel)
Ambient Temperature	-40°C-85°C

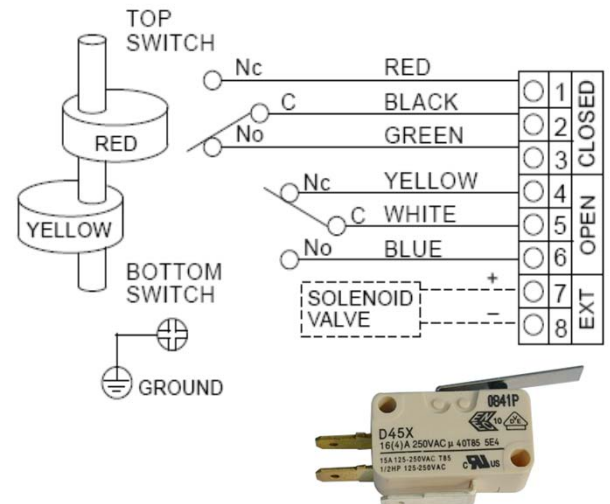
APPROVED BY



Sensor: 2 SPDT CHERRY Mechanical Switches

Model No.	ML2 Minimum Temperature:-40°C
Operating Voltage	Max: 15A125-250 VAC

WIRING DIAGRAM (2 SPDT)



DRAWING AND DIMENSION

