

PRODUCT NAME

Valve Monitor

MODEL NO.

ALS300PA22

DESCRIPTION OF THE PRODUCT

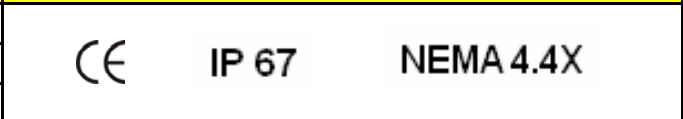
The ALS300PA22 series valve monitor is a rotary position indication device. Armed with inductive sensors, this device can sense mechanical position (on/off) of valve for remote PLC or PC indication. The visual indicator on the top of the device can also clearly display the valve position for local detection.



SPECIFICATIONS AND TECHNICAL DATA

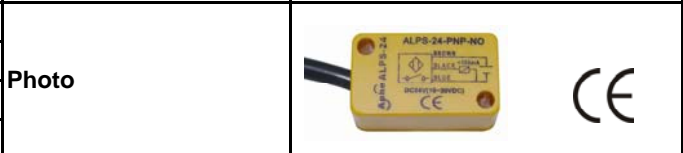
Enclosure	Die-casting aluminum: O-ring sealed
Coating	Dichromate conversion with polyester powder coating
O-rings	Buna N
Environment	Type 4, 4X, IP67
Fasteners	Stainless steel
Shaft	Stainless steel Namur
Conduit Entries	Two 1/2" BSPP Also available with two 1/2" NPT, M20-1.5
Terminal Strip Contacts	8
Mounting Bracket	MB - 3.4: 30 x 80, 130 H:20, 30 (Carbon steel)
Temperature Rating	-20°C -85°C

APPROVED BY

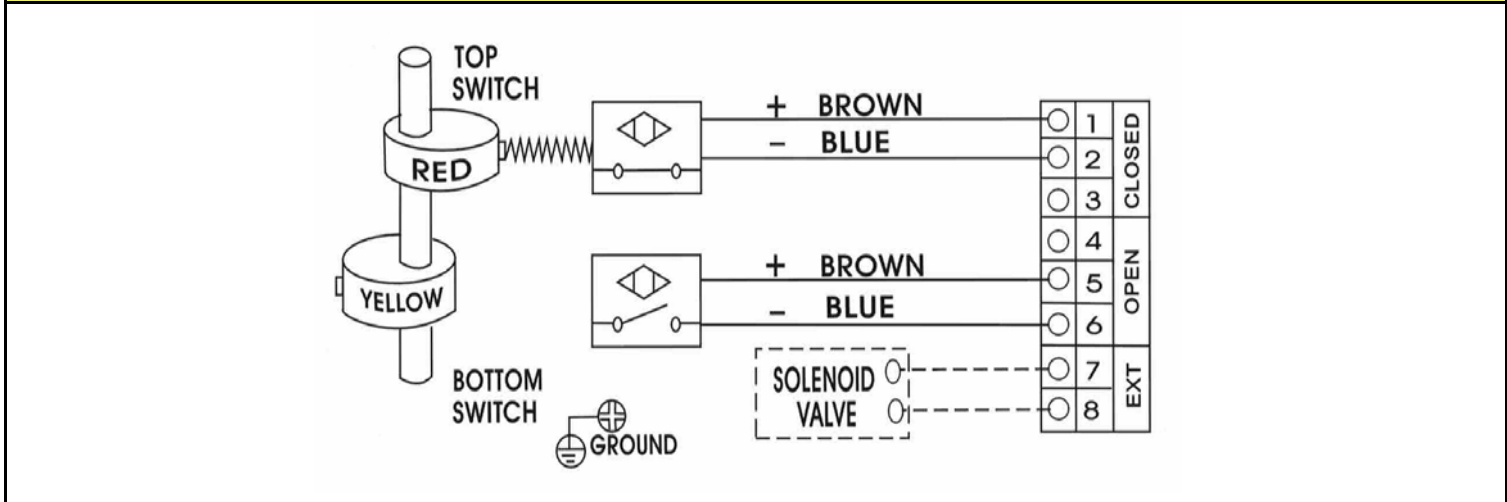


Sensor: Two ALPS Inductive sensors (2 wire)

Model No.	PA22
Operating Voltage	10-30 VDC, <=150mA
Operating Temp.	-25°C -85°C



WIRING DIAGRAM(2 wire)



DRAWING AND DIMENSION

