

PRODUCT NAME

Valve Monitor

MODEL NO.

ALS300PP22

DESCRIPTION OF THE PRODUCT

The ALS300PP22 valve monitor is a rotary position indication device. Armed with inductive sensors, this device can sense mechanical position (on/off) of valve for remote PLC or PC indication. The visual indicator on the top of the device can also clearly display the valve position for local detection.



SPECIFICATIONS AND TECHNICAL DATA

| | |
|-------------------------|---|
| Enclosure | Die-casting aluminum: O-ring sealed |
| Coating | Dichromate conversion with polyester powder coating |
| O-rings | Buna N |
| Environment | Type 4, 4X, IP67 |
| Area Classification | Standard |
| Fasteners | Stainless steel |
| Shaft | Stainless steel Namur |
| Conduit Entries | Two 1/2" BSPP |
| | Also available with two 1/2" NPT, M20-1.5 |
| Terminal Strip Contacts | 8 |
| Mounting Bracket | MB - 3.4: 30 x 80, 130 H:20, 30 (Carbon steel) |
| Temperature Rating | -20°C -85°C |

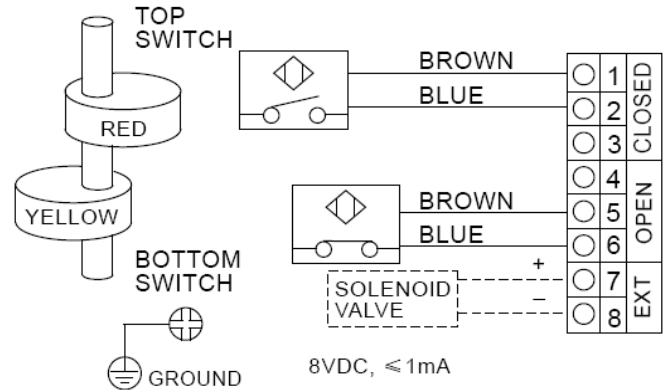
APPROVED BY



Sensor: p+f NCB2-V3-No inductive sensor NAMUR (2 wire)

| | |
|---------------------|---------------------------------|
| Model No. | PP22 |
| Operating Voltage | 8DCV, <=1mA |
| Operating Temp. | -25°C -85°C |
| Area Classification | intrinsically safe, Exia IIC T6 |

WIRING DIAGRAM



Exia II CT6

DRAWING AND DIMENSION

