

Description

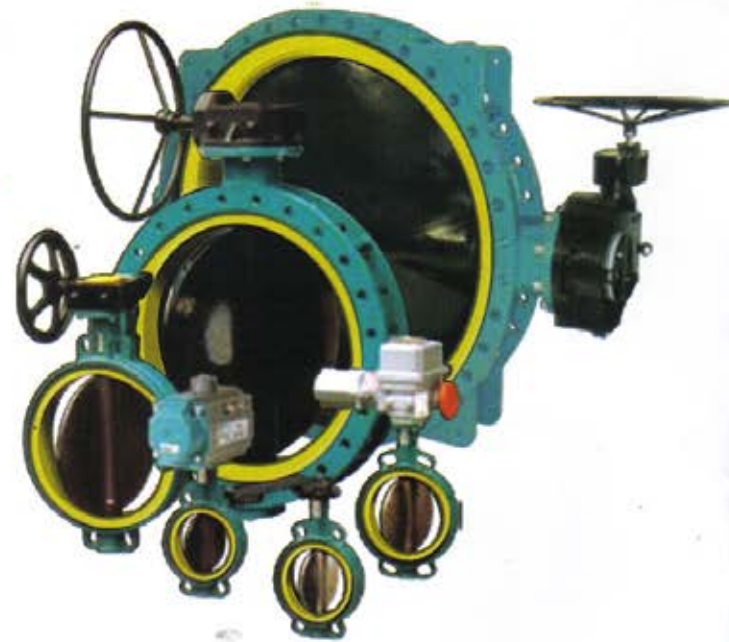
Centric butterfly valve with elastomer liner for liquids and gases in the industrial range, general services, water treatment, slurry and control

Product features

- Body construction D1 Wafer DN 25-900
D3 Lug DN 25-400
D4 U-section DN 150-1600
- Face to face dimension according to ISO 5752/20, EN 558-1/20
- Top flange according to EN ISO 5211
- Max. working pressure 16 bar
- Rating PN6, PN10, PN16, ANSI cl. 150
- Temperature range -20°C - 200°C according to material
- Tightness test according to EN 12266-1/P12
leakage rate A, test fluid water



The Ragmax butterfly valves meet the safety requirements of the pressure Equipments Directive 97/23/EC (PED) appendix 1 for fluids of the groups 1 and 2.



D1
Wafer



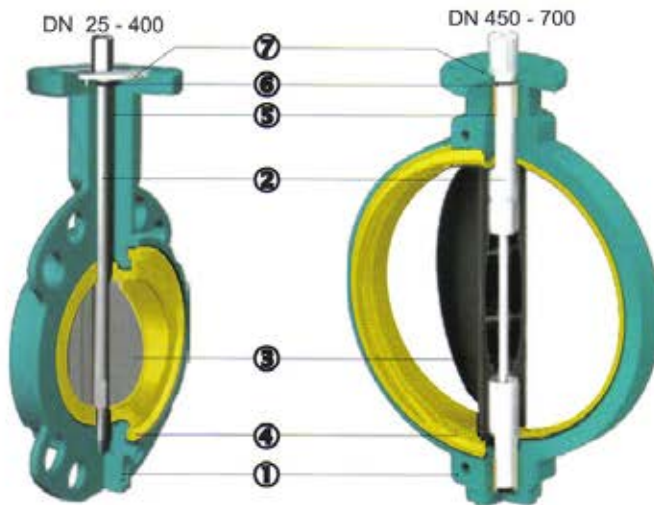
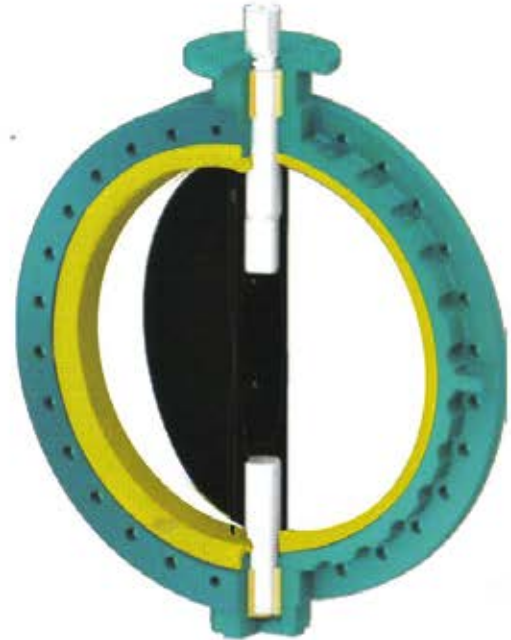
D3
Lug



D4
U-section

Construction

1	Body (extended valve neck allowing insulation)
2	Blow out proof shaft with position indication
3	Disc
4	Exchangeable liner with sealing grooves on the tightening face
5	Shaft bearing (DN25-400 Resicoat®, DN450-1600 Bronze)
6	External shaft sealing
7	Retaining washer (blow out protection)


DN 750 - 1600


Cv values m³/h

Sizes	opening angle of the valve							
	20°	30°	40°	50°	60°	70°	80°	90°
32		1,5	5	10	15	26	34	40
40		2,7	8,5	16	25	37	46	50
50	2	7	15	28	45	68	88	100
65	3	11	24	48	85	138	180	210
80	8	22	50	83	134	230	312	360
100	15	35	70	130	225	410	585	650
125	28	70	135	230	360	600	920	1050
150	33	95	205	320	580	980	1410	1620
200	60	175	355	580	910	1600	2450	2800
250	132	340	590	940	1480	2550	3950	4480
300	200	505	890	1450	2100	3800	5960	6800
350	280	680	1200	2050	3150	5050	8100	9200
400	365	860	1500	2490	3980	6600	10200	11700
450	465	1080	1900	3150	5050	8700	13300	15200
500	580	1200	2300	3740	6150	11000	16800	18900
600	820	1600	2780	5200	8940	14500	23500	26800
700	890	2050	3450	6050	11050	18800	31500	37100
800	1300	2550	4950	8750	14200	23500	39500	48500
900	1650	3300	6400	11800	19400	31500	52500	61300
1000	2150	4250	8200	15100	23500	39400	65500	80500
1200	4000	7500	12500	19800	34000	55400	98300	119200
1400	5200	10120	18200	32500	51500	89500	142000	162000
1600	7100	14210	26050	45000	71200	118500	196200	228500




Type code

D1 0100 . 3 3 . 2AR . 4A . 2AR . E					
		☉ □ □ □ □ ◆ ◆ ◆			
☉	Type	1	Wafer sizes	DN25 - DN900	
		2	LUG sizes DN25 - DN400	DN25 - DN400	
		3	Flanged sizes	DN150 - DN1600	
□	Nominal diameter	0025-1600	mm		
□	Working pressure		bar		
□	Rating	1	PN6		
		2	PN10		
		3	PN16		
□	Body	1	Ductile Iron	Epoxy coated 70 micron	DN25 - DN400
		2	Cast Iron	Polyurethane coated	DN150 - DN1600
		2	Stainless Steel	Special request	
◆	Shaft	1	STST 1.4028 AISI420		
		2	EN 57	Used in Ragmax 1000 & 2000	
◆	Disc	1	STST	Used in Ragmax 4000 & 5000	Water & Utility water
		2	STST Ragmax EXT coated	Ragmax 1000	Extreme slurries
		3	STST Ragmax coated	Ragmax 2000	Slurries
		4	Ductile Ragmax coated	Ragmax 3000	Light slurries
		5	Ductile Rilsan coated	Ragmax 6000	Clean water
		6	Alubronze		Demin water
		7	Hastaloy		Some acids
◆	Liner	P	PECU	Ragmax 1000 - 4000	
		E	EPDM < 95 deg	Ragmax 5000	
		EE	EPDM High temp < 130 deg		
		N	Nitril	Oils	
		V	Viton < 200 deg		
		S	Silicone < 200 deg		

Other executions on request !
*** Working pressure (Code)**

Body material	DN →	25	32	40	50	65	80	100	125	150	200	250	300	350	400	450	500	600	700	800	900	1000	1200	1400	1600	
EN-GJL-250 (1A)	6 bar																									1
	10 bar																									
EN-GJS-400-15 (2A)	10 bar																									
	16 bar																									

****Rating (Code)**

RAGMAX	DN →	25	32	40	50	65	80	100	125	150	200	250	300	350	400	450	500	600	700	800	900	1000	1200	1400	1600	
 D1	PN6							3																		
	PN10							3												2						
	PN16										3															
 D3	PN10					3							2													
	PN16							3																		
 D4	PN10										3									2						
	PN16																					3				

Max. pressure and temperature limits of application are dependent of the working conditions.

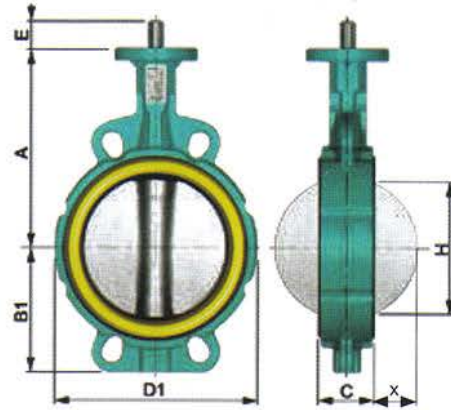
Dimensions

D1 Wafer, DN25-800

DN 25/32

DN 40/50/65

DN 80/100

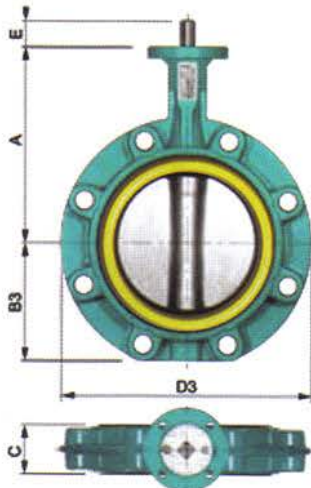
DN 125/150/200

DN 250-400

DN 450-900


DN	A	B1	C	D1	E	H*	x*	[kg]
(25)32	110	51	30	101	19	19	3	1,4
40	130	54	33	108	19	28	6	2
50	135	72	43	120	19	32	6	3
65	150	82	46	138	19	50	11	3,6
80	160	92	46	142	19	69	19	4
100	180	102	52	162	19	88	26	5,5
125	195	120	56	189	19	115	36	7,5
150	210	133	56	214	19	141	48	8,6
200	240	163	60	270	25	194	72	12,7
250	279	196	68	324	32	240	91	22,2
300	315	232	78	378	32	290	112	30,8
350	330	257	80	425	40	330	130	41,5
400	365	292	102	475	40	377	145	57,2
450	397	355	113	538	65	425	164	95
500	437	393	126	595	65	474	182	125
600	522	464	153	695	80	569	218	180
700	565	503	168	800	80	660	257	280
800	627	577	190	908	80	774	304	387
900	696	643	204	1015	80	855	337	502

* When using plastic stubs please check dimension H/x to avoid damaging of disc

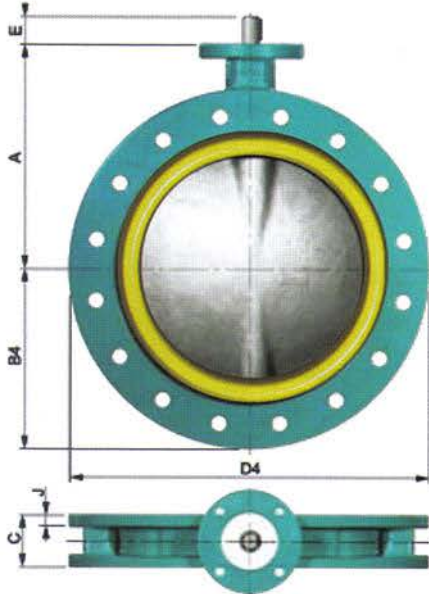
D3 Lug body, DN 25-400



DN	A	B3	C	D3	E	H*	x*	[kg]
25	110	51	30	101	19	19	3	1,4
32	110	51	30	101	19	19	3	1,4
40	130	54	33	108	19	28	6	2
50	135	72	43	116	19	32	6	3,2
65	150	82	46	131	19	50	11	4
80	160	92	46	188	19	69	19	6,1
100	180	102	52	219	19	88	26	8,5
125	195	120	56	248	19	115	36	10
150	210	133	56	274	19	141	48	11
200	240	163	60	332	25	194	72	19,6
250	279	196	68	402	32	240	91	28,7
300	315	232	78	472	32	290	112	41,2
350	330	257	80	520	40	330	130	55
400	365	292	102	584	40	377	145	75

Dimensions

D4 U-section body, DN 150-1600

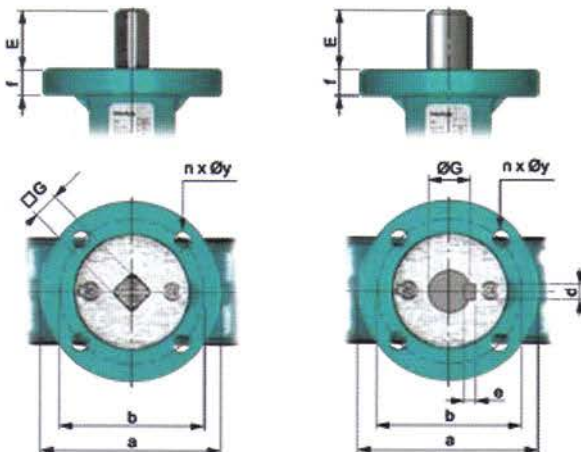


DN	A	B4	C	D4	H*	x*	J	E	[kg]
150	210	133	56	285	141	48	10	19	15
200	240	163	60	340	194	72	12,5	25	19,5
250	279	196	68	406	240	91	15	32	30,5
300	315	232	78	482	290	112	15	32	44
350	330	257	78	533	330	130	18	40	59
400	365	292	102	597	377	145	20	40	82
450	397	355	114	640	425	164	24	65	118
500	437	393	127	715	474	182	26	65	175
600	522	464	154	840	569	218	28,5	80	260
700	565	503	165	927	660	257	31,5	80	345
750	590	541	170	985			34	80	435
800	627	577	190	1060	774	304	36,5	80	510
900	696	643	204	1170	855	337	38	100	660
1000	745	693	216	1255	960	383	44	100	790
1100	820	738	218	1395	1054	429	44	100	850
1200	881	806	254	1485	1149	462	47	120	1180
1400	990	908	280	1746	1336	543	40	120	1700
1600	1117	1048	318	1924	1553	634	50	155	2600

Top fange according to ISO 5211

DN 25-400

DN 450-1600



DN	E	G	d	e	f	ISO	a	b	n x Øy
25-40	19	Ø 8	-	-	12	F07	90	70	4 x 9
50-100	19	Ø 11	-	-	12	F07	90	70	4 x 9
125-150	19	Ø 14	-	-	12	F07	90	70	4 x 9
200	25	Ø 17	-	-	12	F07	90	70	4 x 9
250-300	32	Ø 22	-	-	18	F10/F12	155	102/125	4 x 10 / 4 x 13
	40	Ø 22	-	-	18	F12	155	125	4 x 13
400	40	Ø 27	-	-	18	F12	155	125	4 x 13
450-500	65	Ø 45	14	9	25	F14	175	140	4 x 18
600	80	Ø 70	20	12	25	F16	220	165	4 x 22
700	80	Ø 70	20	12	25	F25	300	254	8 x 18
(750)	80	Ø 70	20	12	30	F25	300	254	8 x 18
800	80	Ø 70	20	12	30	F25	300	254	8 x 18
900	100	Ø 80	22	14	30	F30	350	298	8 x 22
1000	100	Ø 80	22	14	30	F30	350	298	8 x 22
(1100)	100	Ø 80	22	14	30	F30	350	298	8 x 22
1200	120	Ø 100	28	16	30	F30	350	298	8 x 22
1400	120	Ø 120	32	18	35	F30	350	298	8 x 22
1600	155	Ø 130	32	18	40	F35	418	356	8 x 33,5

When mounting the valve at the end of a line please note:

- Body type	D3 possible without counter fange D4 only with counter fange
- Body material	2A (EN-GJS-400-15)
- Medium	only for liquids, 10÷30°C
- Max. working pressure (with 16 bar disc)	DN25-200 10 bar DN250-600 6 bar DN700-1400 2,5 bar

- no water hammer !!!

please consult our document "Flanges"

